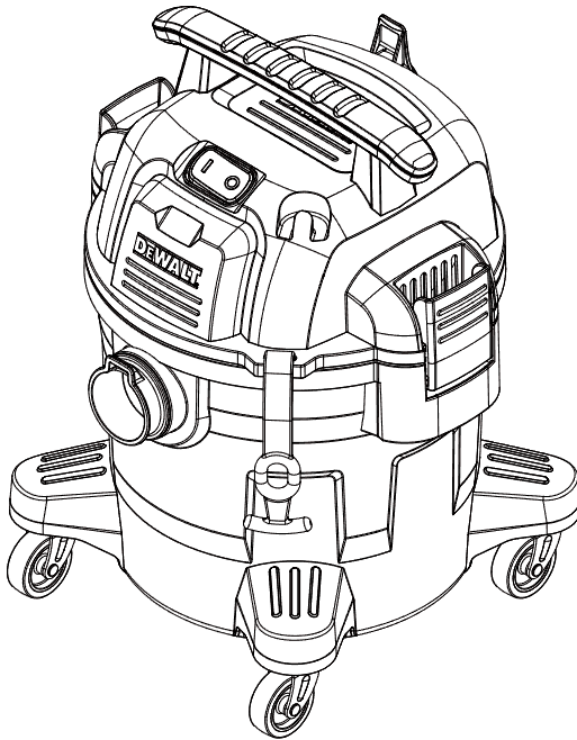


DEWALT®



www.DEWALT.com

DXV20PC

Fig. A

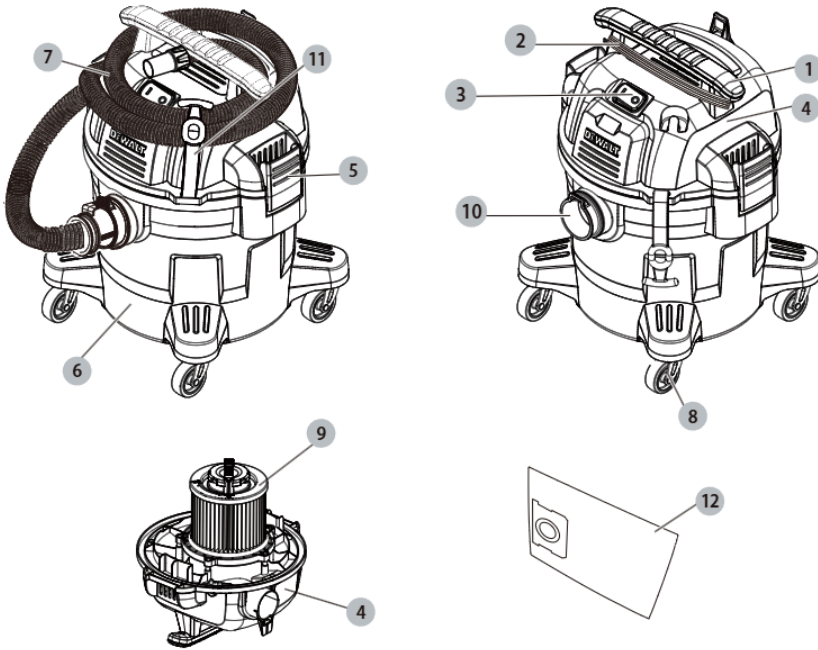


Fig. B

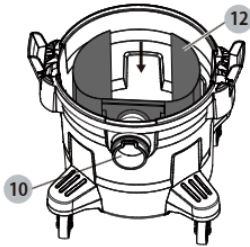


Fig. C

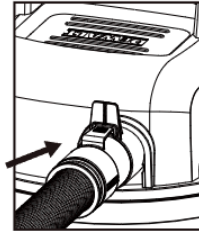


Fig. D

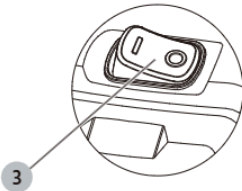


Fig. E

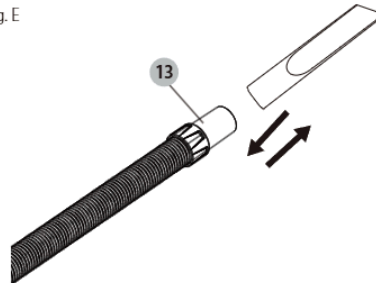


Fig. F

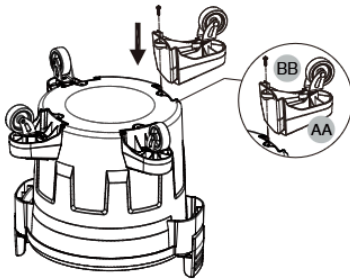


Fig. G

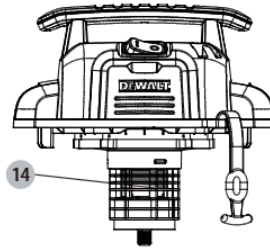


Fig. H

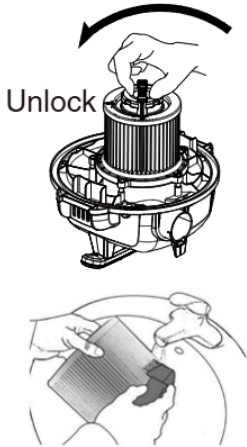


Fig. I

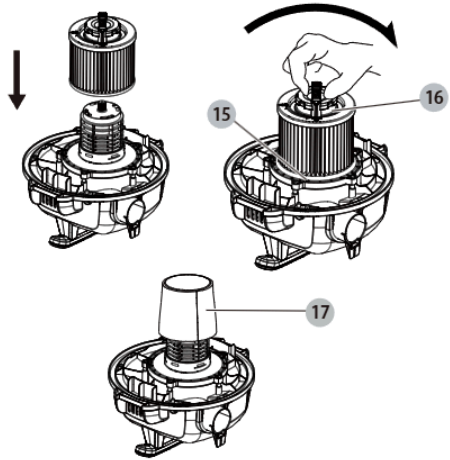
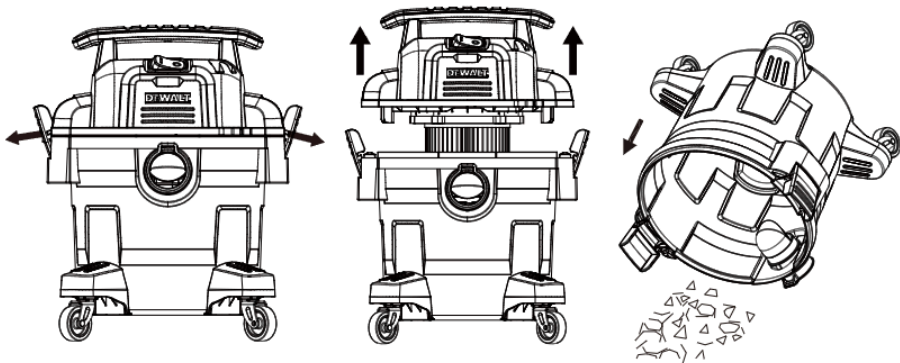


Fig. J



English**Wet & Dry vacuum cleaner****PRODUCT SPECIFICATIONS**

Model	DXV20PC
Power	220-240V- / 50Hz / 1050W
Seal pressure	15kPa
Air flow	37.8L/S
Tank capacity	20L*
Hose	48mm x 2.1m
Power cord	H05VV-F 2 x 0.75mm ² / 3.05m
Noise Level	≤ 78dB(A)**

*Tank capacity refers to actual tank volume and does not reflect capacity available during operation.

**Tested per ISO3744 and ISO226 Standards.

PACKAGE CONTENTS

The package contains:

- 1 48mm x 2.1m Hose (DXVA19-2558)
- 2 Extension Wand (DXVA19-1202)
- 1 Crevice Nozzle (DXVA19-1400)
- 1 Floor Nozzle (DXVA19-1900D)
- 1 Disposable Dust Bag (DXVA19-4204A)
- 1 Clean Connect™ Filter (DXVC4001)
- 1 Foam filter (DXVA20-1200A)
- 1 Instruction Manual
- 1 Screw Package
- 4 Casters

- Check for damage to the tool, parts or accessories which may have occurred during transport.
- Take the time to thoroughly read and understand this manual prior to operation.

DEFINITIONS: SAFETY GUIDELINES

The definitions below describe the level of severity for each signal word. Please read the manual and pay attention to these symbols.

▲ DANGER: Indicates an imminently hazardous situation which, if not avoided, will result in death or serious injury.

▲ WARNING: Indicates a potentially hazardous situation which, if not avoided, could result in death or serious injury.

▲ CAUTION: Indicates a potentially hazardous situation which, if not avoided, may result in minor or moderate injury.

NOTICE: Indicates a practice not related to personal injury which, if not avoided, may result in property damage.

IMPORTANT SAFETY INSTRUCTIONS

▲ WARNING: When using electric appliances, always follow basic safety precautions to reduce the risk of fire, electric shock and personal injury, including the following:

BEFORE USING THE APPLIANCE, READ AND FOLLOW ALL INSTRUCTIONS.

▲ WARNING: To reduce the risk of electric shock. Do not expose to rain. Store indoors.

- Do not leave the appliance when it is connected to a power source. Unplug it from outlet when not in use and before servicing.
 - Do not allow the appliance to be used as a toy. Pay close attention when the appliance is used by or near children.
 - Use the appliance ONLY as described in the manual. Use only DeWALT recommended attachments.
 - Do not use the appliance with a damaged cord or plug. If the appliance is not working correctly, or if it has been dropped, damaged, left outdoors, or dropped in water, return it to a service center.
 - Do not pull or carry the appliance by the cord, use the cord as a handle, close a door on the cord, or pull the cord around sharp edges or corners. Do not run the appliance over the cord. Keep cord away from heated surfaces.
 - Do not unplug the appliance by pulling on the cord. To unplug, grasp the plug, not the cord.
 - Do not handle the plug or appliance with wet hands.
 - Do not put any objects into the openings of the appliance. Do not use the appliance with any opening blocked; keep free of dust, lint, hair and anything else that may reduce air flow.
 - Keep hair, loose clothing, fingers, and all body parts away from the openings and moving parts.
 - Turn off all controls before unplugging the appliance.
 - Take extra care when cleaning on stairs.
 - Do not use the appliance to pick up flammable or combustible liquids, such as gasoline, or use in areas where flammable or combustible liquids are present.
 - Static shocks are possible in dry areas or when the relative humidity of the air is low. This is only temporary and does not affect the use of the vacuum. To reduce the frequency of static shocks, add moisture to the air with a console, installed humidifier or use hose (standard on some models).
 - To avoid spontaneous combustion, empty the dust tank after each use.
 - This machine is intended for commercial use, for example in hotels, schools, hospitals, factories, shops, offices and rental businesses.
 - **▲ CAUTION:** The Appliance is not intended for use by persons (including children) with reduced physical, sensory or mental capabilities, or lack of experience and knowledge. Children should be supervised to ensure that they do not play with the appliance.
- SAVE THESE INSTRUCTIONS**
- ADDITIONAL SAFETY RULES**
- Do not pick up anything that is burning or smoking, such as cigarettes, matches, or hot ashes.
 - Do not use to vacuum combustible explosive materials, such as coal, grain, or other finely divided combustible materials.
 - Do not use to vacuum hazardous, toxic or carcinogenic materials, such as asbestos or pesticide.

English

- Never pick up explosive liquids (e.g. gasoline, diesel fuel, heating oil, paint thinner, etc.), acids or solvents.
- Do not use vacuum without filters in place, except as described under **WET PICK UP APPLICATIONS**.
- Some wood contains preservatives which can be toxic. Take extra care to prevent inhalation and skin contact when working with these materials. Request and follow any safety information available from the material supplier.
- Do not use vacuum as a step ladder.
- Do not place heavy objects on vacuum.
- An extension cord must have adequate wire size for safety.
- If an extension cord is to be used outdoors it must be marked.

▲ WARNING:

To reduce the exposure to these chemicals, wear approved safety equipment such as dust masks that are specially designed to filter out microscopic particles.

ON MOTOR HOUSING :

▲ WARNING:

• TO REDUCE THE RISK OF INJURY, USER MUST READ INSTRUCTION MANUAL. DO NOT LEAVE THE VACUUM UNATTENDED WHEN IT IS SWITCHED ON. DO NOT PICK UP FLAMMABLE, COMBUSTIBLE OR HOT MATERIALS. DO NOT USE AROUND EXPLOSIVE DUST, LIQUIDS OR VAPORS. ELECTRICAL DEVICES PRODUCE ARCS OR SPARKS WHICH CAN CAUSE FIRE OR EXPLOSION. DO NOT USE AT FILLING STATIONS OR ANYWHERE GASOLINE IS STORED OR DISPENSED. DO NOT VACUUM TOXIC OR CARCINOGENIC MATERIALS OR OTHER HEALTH ENDANGERING MATERIALS SUCH AS ASBESTOS OR PESTICIDES. ALWAYS USE PROPER EYE AND RESPIRATORY PROTECTION. TO REDUCE THE RISK OF ELECTRICAL SHOCK, DO NOT EXPOSE TO RAIN. STORE INDOORS. WHEN SERVICING, USE ONLY IDENTICAL REPLACEMENT PARTS. NOT TO BE USED AS A STEP STOOL.

SAVE THESE INSTRUCTIONS

OPERATING INSTRUCTIONS

UNPACKING & SETUP SUMMARY

1. Pull lid latches in an outward motion, remove power head and some accessories that may have been shipped in the tank.
2. Attach heavy-duty rubberized casters following the instructions in this manual.
3. Before replacing power head, refer to this manual to ensure you have the proper filters installed for the cleaning operation.
4. Replace power head, and apply pressure with thumb to each latch until it snaps tightly in place. Make sure all lid latches are clamped securely.
5. Insert the end of the hose into the inlet of the tank.
6. Attach the extension wands to the end of the hose. Apply slight pressure until fitting is tight.

7. Attach one of the cleaning accessories (depending on the cleaning requirements) to the extension wands. Twist slightly to tighten the connection.
8. Plug the cord into the wall outlet. The vacuum is ready for use.

▲ WARNING:

To reduce the risk of fire or explosion, do not operate this vac in areas with flammable gases, vapors or explosive dust in the air. Flammable gases or vapors include but are not limited to: lighter fluid, solvent-type cleaners, oil-based paints, gasoline, alcohol or aerosol sprays. Explosive dusts include but are not limited to: coal, magnesium, aluminum, and grain or gun powder. Do not vacuum explosive dust, flammable or combustible liquids or hot ashes. Do not use this vac as a sprayer for any flammable or combustible liquid. To reduce the risk of health hazards from vapors or dusts, do not vacuum toxic materials.

IMPORTANT SAFEGUARDS

The symbol on the product or packaging indicates that the product must not be treated as domestic refuse. Instead, it should be handed in to a collection point for the recycling of electrical and electronic components. By ensuring the product is treated in the right way, this will help to prevent the negative impact on environment and health that may result from the product being thrown away as general waste. For further information about recycling, you should contact the local authorities, refuse collection service or the sales outlet where you bought the goods.

PROTECTING THE ENVIRONMENT



Separate collection. Products and batteries marked with this symbol must not be disposed of with normal household waste.

Products and batteries contain materials that can be recovered or recycled reducing the demand for raw materials. Please recycle electrical products and batteries according to local provisions. Further information is available at www.2helpU.com

DESCRIPTION (Fig. A)

▲ WARNING: Never modify the power appliance or any part of it. Damage or personal injury could result.

- 1 Sturdy handle/cord wrap
- 2 Power cord
- 3 On/off switch
- 4 Vacuum head
- 5 Lid latches
- 6 Dust tank
- 7 Hose

English

- 8 Casters
- 9 Clean Connect™ filter
- 10 Vacuum port
- 11 Hose strap
- 12 Disposable dust bag
- 13 Connector
- 14 Float
- 15 Filter seal
- 16 Filter threads
- 17 Foam filter

ASSEMBLY AND ADJUSTMENTS (Fig. A–C)

▲ WARNING: To reduce the risk of injury, turn appliance off and disconnect appliance from power source before installing and removing accessories, before adjusting or changing set-ups or when making repairs. An accidental start-up can cause injury.

▲ WARNING: The filter 9 must always be in place while vacuuming, except as described under **WET PICK UP APPLICATIONS** under **OPERATION**. When vacuuming fine dust, you may also need to use an disposable dust bag to make emptying the dust tank easier.

1. Install the disposable dust bag 12, as shown in Fig. B.

NOTE: Be careful not to tear the bag. Place bag securely onto vacuum port 10 to provide a tight seal for maximum dust collection performance.

2. Place the vacuum head 4 onto the dust tank and secure it by closing the lid latches 5.
3. Insert the end of hose 7 into clip-in hose vacuum port 10 and tighten the end of hose to the tank.

OPERATION**INSTRUCTIONS FOR USE (Fig. A, D, E)**

▲ WARNING: Always observe the safety instructions and applicable regulations.

1. Plug the power cord into an appropriate outlet.
2. Turn the on/off switch 3 to the ON position (I).
3. The DeWALT construction dust extractor is fitted with the DeWALT connection system. It allows a fast, secure connection between the hose 7 and power tool. The connector 13 connects directly to DeWALT compatible tools or through the use of an adapter (available from local DeWALT supplier). If you need Install the adapters, refer to Fig. E.

NOTE: If using an adapter ensure it is firmly attached to the tool outlet before following the steps below.

OPERATING INSTRUCTIONS**CASTER INSTALLATION (Fig. A, F)**

1. Invert the dust tank and install the casters to the bottom of the dust tank and fix them with screws.
2. Return dust tank assembly upright.

REMOVE/CHANGE USED DISPOSABLE DUST BAG (Fig. A)

▲ WARNING: Appropriate personal protective equipment like dust mask and gloves should be used while handling used dust bags.

1. Turn off vacuum and unplug cord from outlet.
2. Unlatch lid latches 5 and remove vacuum head 4.
3. Pull the disposable dust bag 12 carefully from vacuum port 10.
4. Seal the disposable dust bag 12 opening tightly when removing it from the machine.
5. Dispose the disposable dust bag 12 in appropriate container according to statutory provisions.

WET PICK UP APPLICATIONS (Fig. A, G)

▲ WARNING: If foam or liquid escapes from the machine, switch off immediately.

▲ WARNING: Do not use the machine with this set up for dust Class L.

The ball float 14 will block air to the motor when the dust tank is full and the sound of the motor will change at once.

When the motor has a high pitched sound and air/water flow stops, empty the dust tank.

1. Turn off vacuum and unplug cord from outlet.
2. Unlatch lid latches 5 and remove vacuum head 4.
3. Empty contents of dust tank 6 into a suitable container or drain.

▲ CAUTION: Clean the water level limiting device regularly and examine it for signs of damage. Refer to Fig. G.

NOTE: DO NOT remove ball float 14, doing so will cause damage to the vacuum. The ball float keeps water from entering the motor.

Before using the vacuum for wet pick up:

- Ensure the dust tank is empty and free of excessive dust.
- Remove the filter 9.

TO CONVERT BACK TO DRY VACUUM OPERATION (Fig. A)

1. Empty dust tank, refer to **TO EMPTY DUST TANK** instructions.
2. Place dust tank upside down position until dry. DO NOT use wet dust tank for dry pick up.
3. Place vacuum head 4 on a level surface appliance dry.
4. Reinstall filters when vacuum head is dry. See Filters under Maintenance.
5. When dust tank is dry place the vacuum head 4 onto the dust tank and secure it by closing the lid latches 5.

English

SHUT DOWN/TRANSPORTATION (Fig. A)

1. Turn on/off switch **3** to the OFF position.
2. Unplug the unit.
3. Store the power cord **2** wrapping it around the sturdy handle/cord wrap **1** as shown.
4. When transporting in vehicles, secure the machine.

MAINTENANCE

The DeWALT appliance has been designed to operate over a long period of time with a minimum of maintenance. Continuous satisfactory operation depends upon proper appliance care and regular cleaning.

▲WARNING: To reduce the risk of injury, turn appliance off and disconnect appliance from power source before installing and removing accessories, before adjusting or changing set-ups or when making repairs. An accidental start-up can cause injury.

▲WARNING: For user servicing, the machine must be dismantled, cleaned and serviced, as far as is reasonably practicable, without causing risk to the maintenance staff and others. Suitable precautions include, decontamination before dismantling, provision for local filtered exhaust ventilation where the machine is dismantled, cleaning of the maintenance area and suitable personal protection.

- The manufacturer, or an instructed person, shall perform a technical inspection at least annually, consisting of, for example, inspection of the filter for damage, air tightness of the machine and proper function of the control mechanism.
- When carrying out service or repair operations, all contaminated items which cannot be satisfactorily cleaned, are to be disposed of; such items shall be disposed of in impervious bags in accordance with any current regulation for the disposal of such waste.
- For dust extractors it is necessary to provide for an adequate air change rate L in the room if the exhaust air is returned to the room.

NOTE: Refer to national regulations is necessary.

FILTER (Fig. A, H, I)

FILTER CARE

The filters included with this vacuum are long life filters. To be effective in minimizing dust recirculation, the filters **MUST** be installed correctly and in good condition.

▲WARNING: Appropriate personal protective equipment like dust mask and gloves should be used while handling the filters.

To Remove Clean Connect™ Filter

1. Turn on/off switch **3** to the OFF position (O) and unplug cord from outlet.
2. Release lid latches **5** and remove vacuum head **4** from canister. Place vacuum head on a level surface upside down.
3. Turn each filter **9** counterclockwise by gripping it on the plastic end cover as shown, and carefully remove from head, ensuring debris does not fall into mounting hole.

NOTE: Use care to not damage filter material.

4. If the bottom side of the vacuum head **4** needs to be cleaned, use a cloth dampened with water and mild soap and allow it to dry. Dispose the cloth in an appropriate container.
5. Inspect filters for wear, tears or other damage.

NOTE: If there is any doubt on the condition of the filters they **MUST** be replaced. **DO NOT** continue use if filters are damaged.

▲WARNING: Never use compressed air or a brush to clean filters, otherwise damage to the filter membrane will occur which will allow dust to pass through the filter. If needed, gently tap against a hard surface or rinse with room temperature water and let air dry. Cleaning of the filters is typically unnecessary, even if the filter is covered with dust. The automatic filter cleaning system will maintain maximum performance and continue to function. If visual damage to the filter membrane exists, replace filters. Filters typically last between six and twelve months depending on use and care.

To Install Clean Connect™ Filter

1. Ensure filter seal **15** is in place and is secure.
2. Line up filter threads **16** to vacuum head threads and using moderate force, turn filter clockwise until tight.

NOTE: Use careful to not damage filter material.

3. Place the vacuum head **4** onto the dust tank and secure it by closing the lid latches **5**.

NOTE: Remove the foam filter and replace it with the cartridge filter when you do dry pickups.

To Install Foam Filter

This cleaner requires minimal conversion when going from dry to wet pick-up. A clean cartridge filter may be used for vacuuming small amounts of liquid. For best results when vacuuming large amounts of liquid, remove the cartridge filter and any disposable or reusable dust filters. Install the foam filter **17**, as shown in Fig. I. Installing the foam filter will help to protect the motor and minimize the potential for misting that may appear in the exhaust air or dripping of liquid around the lid.

TO EMPTY DUST TANK (Fig. J)

▲WARNING: To reduce the risk of injury from accidental starting, unplug power cord before emptying the dust tank **6**.

1. Remove the power head assembly of the wet/dry vac by pulling outward on the lid clips located on each side of the vac. Lift off the power head assembly.
2. Dump the tank dust tank into the proper waste disposal container.

English

BLOWING FEATURE (Fig. C)

▲ WARNING: To avoid injury to bystanders, keep them clear of blowing debris.

The vacuum contains a blowing feature. It has the capability to blow sawdust and other debris. It can be used to blow dust and debris out of garages or off patios and driveways. Follow the steps below to use the vacuum as a blower.

1. Locate blowing port on the vacuum.
2. Insert one end of the hose into the blowing port.
3. Turn vacuum "ON".

STORAGE (Fig. A)

1. Empty dust tank, refer to **TO EMPTY DUST TANK** instructions.
2. Clean the vacuum inside and outside. refer to **CLEANING**.
3. Clean or replace filters, refer to **FILTER**.
4. Store the hose and the power cord, as shown in the **Fig. A**. Place the appliance in a dry room and secure it from unauthorized use.

CLEANING

To keep the wet/dry vacuum looking its best, clean the outside with a cloth dampened with warm water and mild soap.

To clean the tank:

1. Dump out debris.
2. Wash tank thoroughly with warm water and mild soap.
3. Wipe with dry cloth.

TROUBLESHOOTING

▲ WARNING:

Minor problems often can be fixed without calling customer service.

PROBLEM	SOLUTION
Motor does not run	Check power cord, plugs and outlet.
	Ensure the on/off switch is in the ON position (I)
Suction capacity decreases	Remove blockages in the floor nozzle, extension wands, hose or filter.
	Replace the disposable dust bag.
	Check for proper installation of the filter.
	Clean or replace the filter.
	Empty dust tank, refer to EMPTY THE TANK under OPERATING INSTRUCTIONS .
Vacuum stops running	Thermal overload has been tripped: 1. Turn the vacuum off and disconnect vacuum cleaner from power source.
	2. Empty the dust tank, if needed.
	3. Allow the unit to cool.
	4. Plug the power cord into an appropriate outlet and turn on/off switch to the ON position (I) to test.
Dust comes out while vacuuming	Check for proper installation of the filters.
	Ensure filters are not damaged; replace if necessary.
	Ensure filter seals are in place and are secure.
	Check the fit of the vacuum head.

▲ WARNING: If the supply cord is damaged, it must be replaced by the manufacturer, its service agent or similarly qualified persons in order to avoid a hazard.

▲ WARNING:

This product is NOT to be used for filtering of pathogens, for example COVID-19. Follow all local, state and federal guidance on general cleaning practices.



English**GUARANTEE****DeWALT EUROPEAN POWER TOOLS 3 YEARS GUARANTEE**

DeWALT is confident of the quality of its products and offers an outstanding guarantee for professional users of the product. This guarantee statement is in addition to and in no way prejudices your contractual rights as a professional user or your statutory rights as a private non-professional user. The guarantee is valid within the territories of the Member States of the European Union and the European Free Trade Area.

Subject to the DeWALT European PPT Guarantee terms and conditions available from your local DeWALT office, seller or at www.2helpU.com, if your DeWALT product becomes defective due to faulty materials or workmanship within 36 months from the date of purchase, DeWALT may replace all defective parts free of charge, or at our discretion, replace the unit free of charge.

DeWALT reserves the right to refuse any claim under this guarantee which in the opinion of the authorised repair agent is not in accordance with the stated DeWALT European Guarantee terms and conditions.

If you wish to make a claim, contact your seller or check the location of your nearest authorised DeWALT repair agent online, in the DeWALT catalogue or contact your DeWALT office at the address indicated in the instruction manual.

A list of authorised DeWALT repair agents and full details of our after-sales service is available on the Internet at: www.2helpU.com

DeWALT EUROPEAN POWER TOOL (PT) 3 YEAR GUARANTEE

The DeWALT European PT Guarantee for your product is 3 years from the date of purchase subject to the following terms and conditions.

1. General terms and Conditions

1.1 The DeWALT European PT 3 Year Guarantee is available to the original DeWALT product user who has purchased the DeWALT products from an authorised DeWALT European reseller for use in the course of their trade or profession. The DeWALT European PT Guarantee is not available to persons purchasing DeWALT product for the purpose of resale or Hire.

1.2 This guarantee is not transferrable. It is only available to the original DeWALT product user who has purchased the product as identified above.

1.3 In addition to the terms and conditions outlined in this document, the terms and conditions stated in the DeWALT European PT Guarantee also apply.

1.4 A product repair or replacement under this guarantee does not extend or renew the guarantee period. The 3 year guarantee period starts from the original purchase date and ends 36 months later.

1.5 This product is excluded from the DeWALT 30-1-1 policy withdrawn 01-01-2016.

2. Products excluded from the DeWALT European PT 3 Year Guarantee. In addition to the product exclusions stated in the DeWALT European PT Guarantee, section 3, the following DeWALT branded products are also excluded:

Fastening Tools e.g. Nailers, Powder Impact tools.

Batteries and Chargers.

Rebuilt or Reconditioned products identified with additional markings – "Factory rework" and/or "Q".

Compressors and generators.

3. Making a Guarantee Claim

3.1 To make a guarantee claim contact your seller or check the location of your nearest DeWALT authorised DeWALT repair agent at www.2helpU.com.

3.2 The DeWALT Tool must be returned to the seller or an authorised DeWALT repair agent with all parts complete, with the original proof of purchase.

3.3 DeWALT reserves the right to refuse any claim under this guarantee which in the opinion of the authorised repair agent is not due to material or manufacturing defect or in accordance with the stated DeWALT European PT Guarantee terms and conditions.

4. Changes to Terms and Conditions

4.1 DeWALT reserves the right to review and amend its guarantee policies, periods and product eligibility without notice as DeWALT considers appropriate.

4.2 Current DeWALT European PT Guarantee Terms and Conditions are available from www.2helpU.com, your local DeWALT seller or DeWALT office.

DXV20PC
EC-Declaration of Conformity
Machinery Directive



ALTON declares that these products described under
Technical Data are in compliance with:
2006/42/EC, EN60335-1 / EN60335-2-69
These products also comply with Directive, 2011/65/EU and
(EU) 2015/863

john bao

John Bao
Senior Manager
Suzhou Alton Electrical & Mechanical Industry Co., Ltd.
North Linhu Road, East Lixitu Road, Wujiang Foho Economic
Development Zone, Jiangsu, 215211, China
07.2020

Copyright © 2025 DeWALT.

DeWALT®, the DeWALT® Logo and GUARANTEED TOUGH®
are trademarks of Stanley Black & Decker Inc, or an affiliate
thereof and are used under license.

Manufactured under license by Alton Ltd. Group

For more information, please contact ALTON

at the following address:

Alton Europe B.V.

Logistiekweg 18, 4906 AB Oosterhout, The Netherlands

E-Mail: EUSales@altonindustries.com

UK Authorised Representative

(for authorities only)

ProductIP (UK) Ltd.

8, Northumberland Av.

London WC2N 5BY

For Customer Service please visit our Online Customer Service Centre at
www.2helpU.com